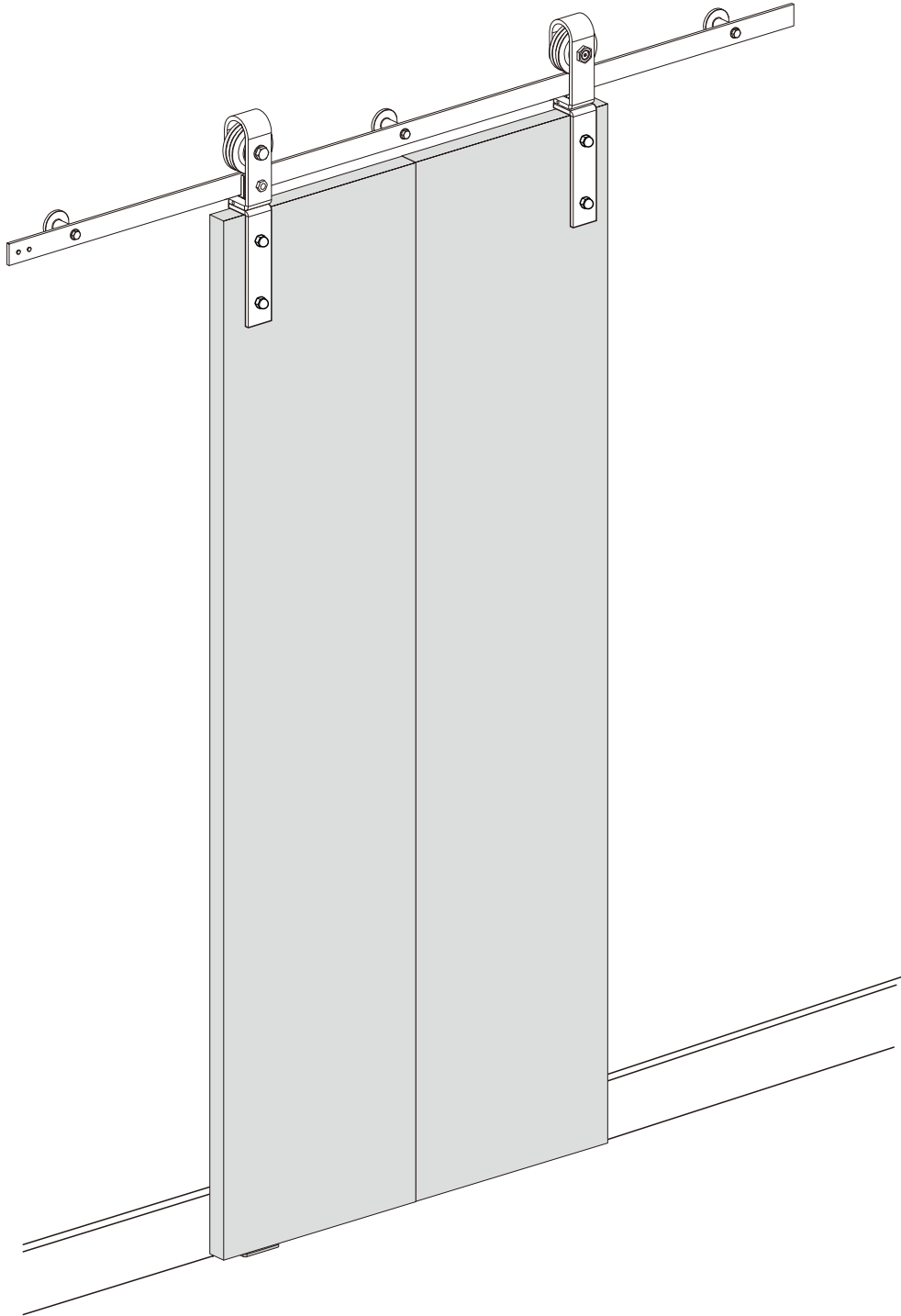
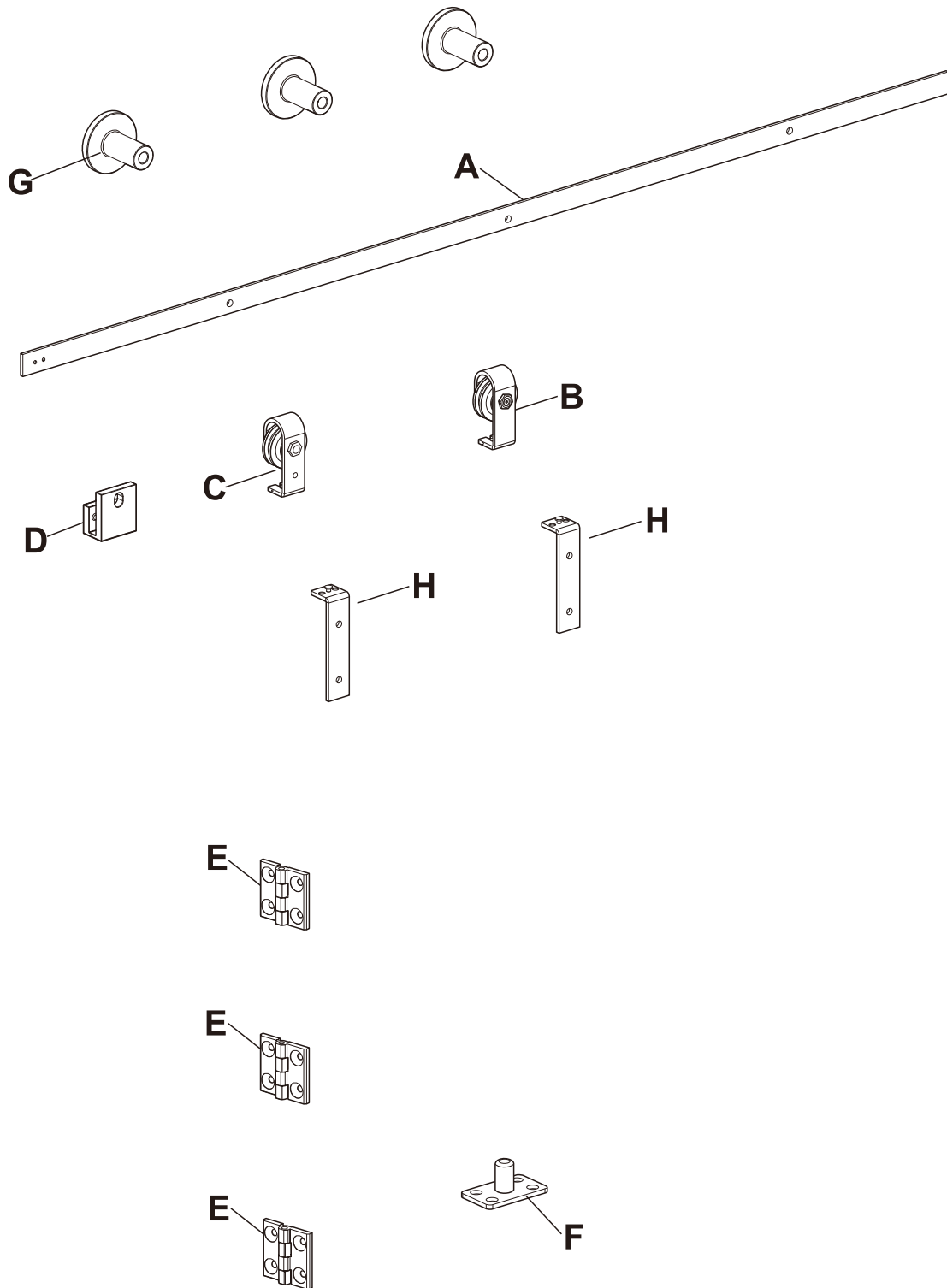


Installation Manual

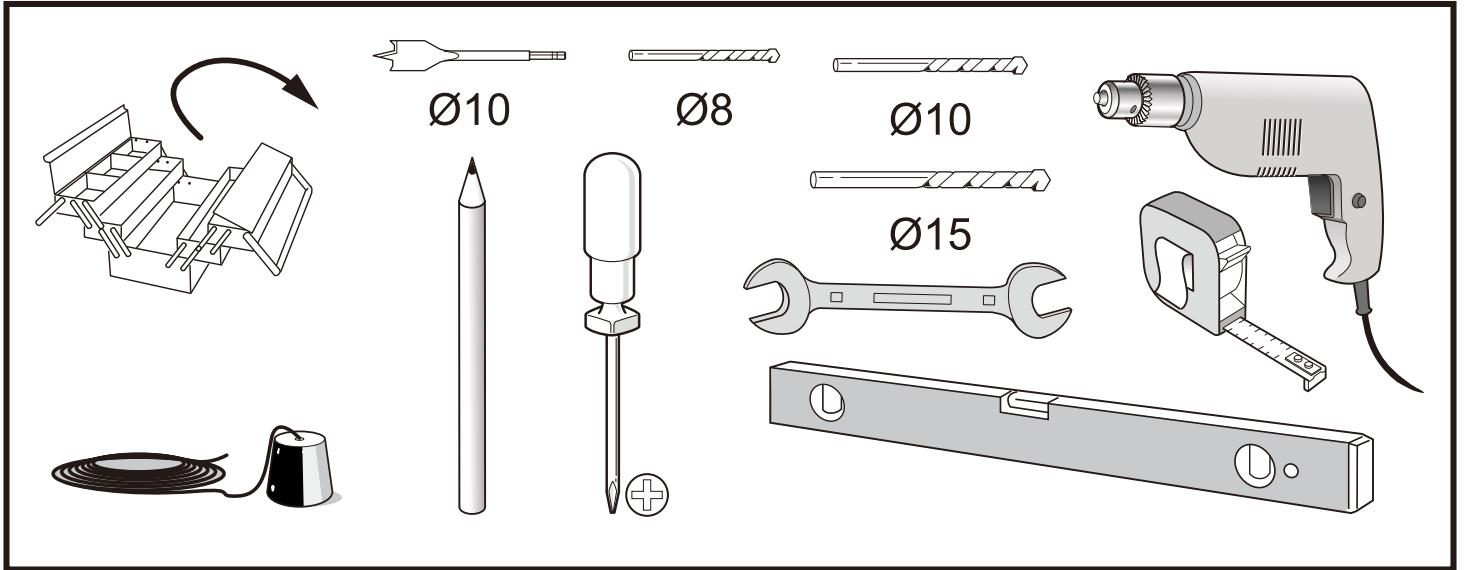


Components list

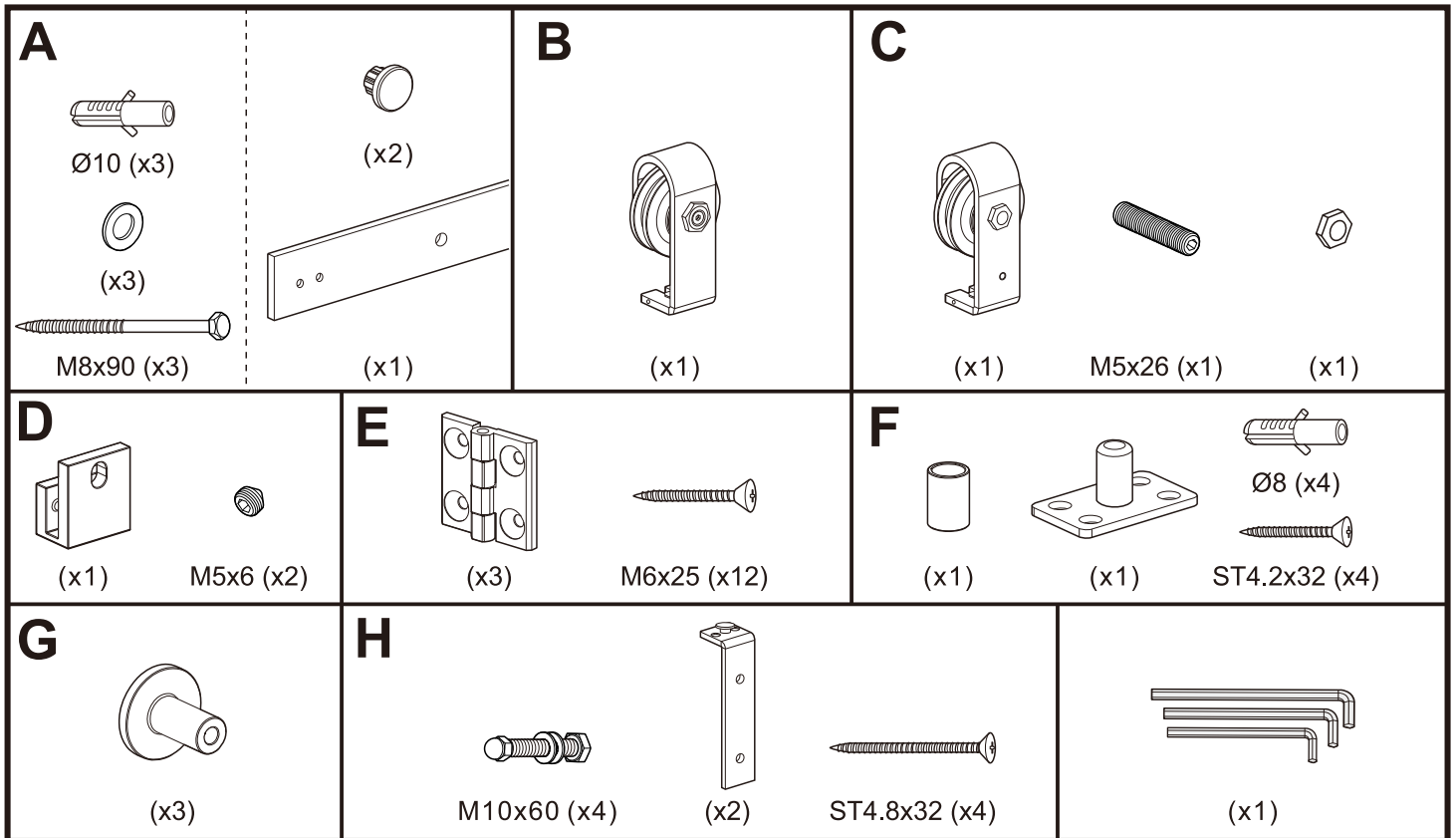


Pre-installation

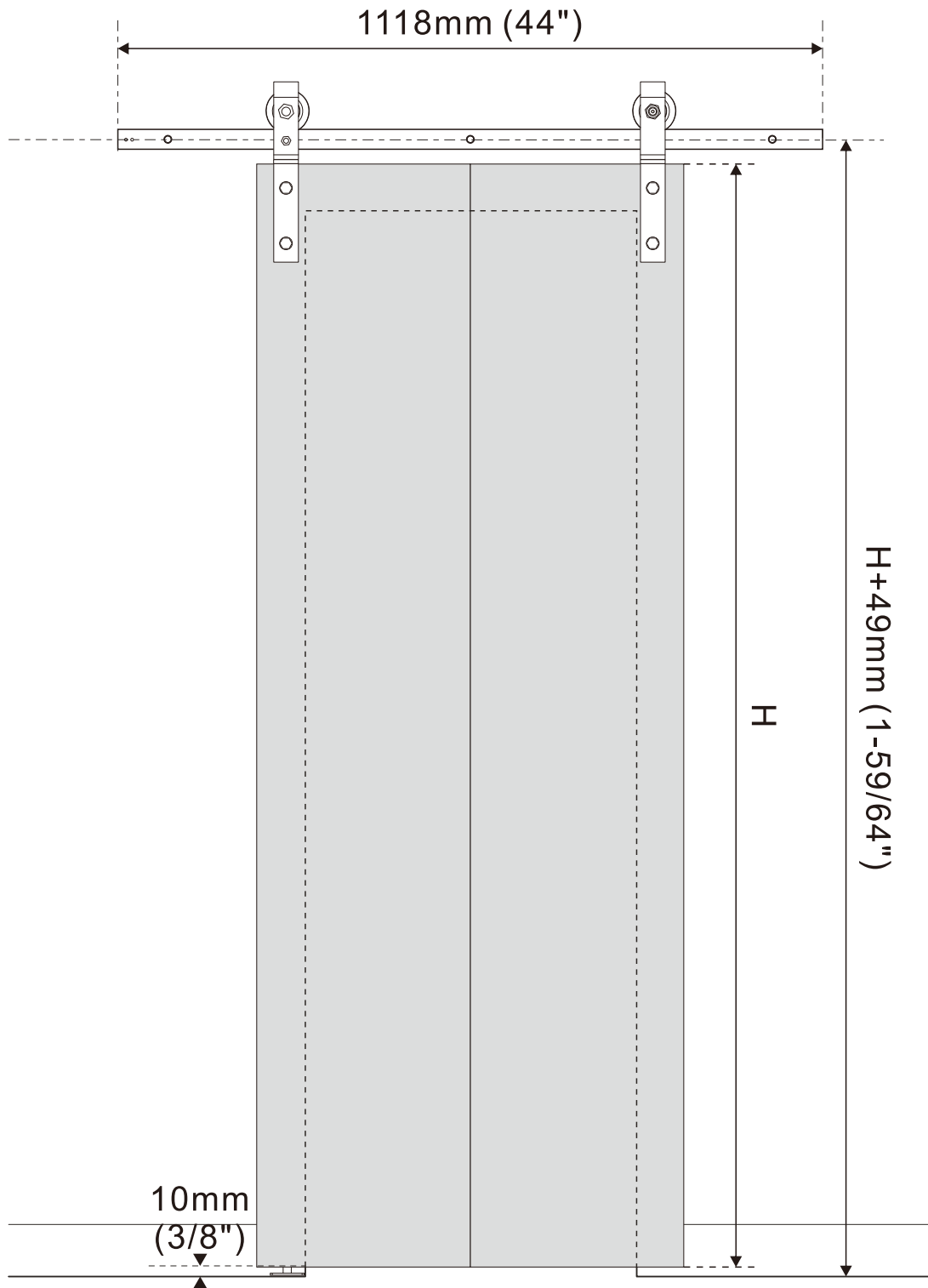
TOOLS REQUIRED



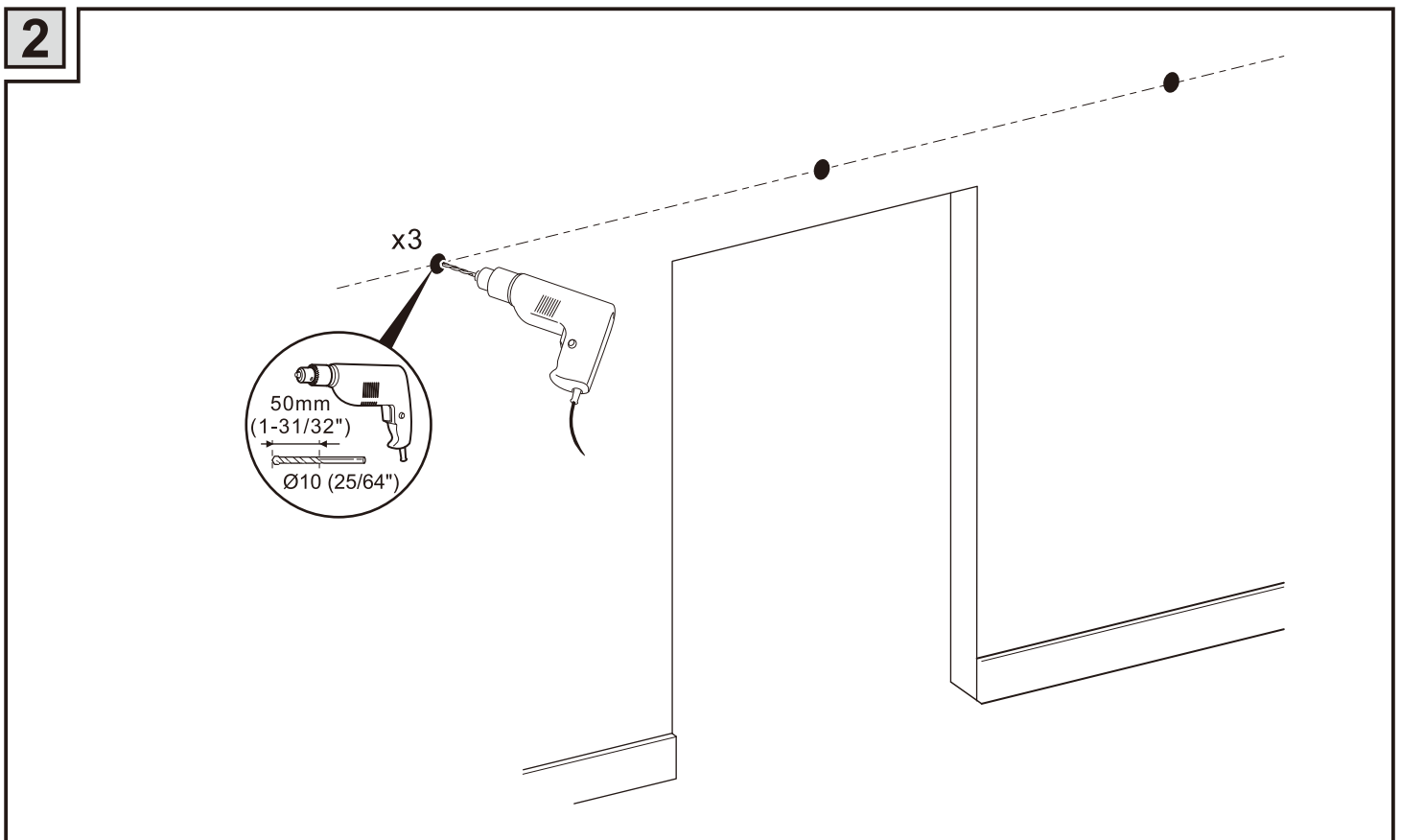
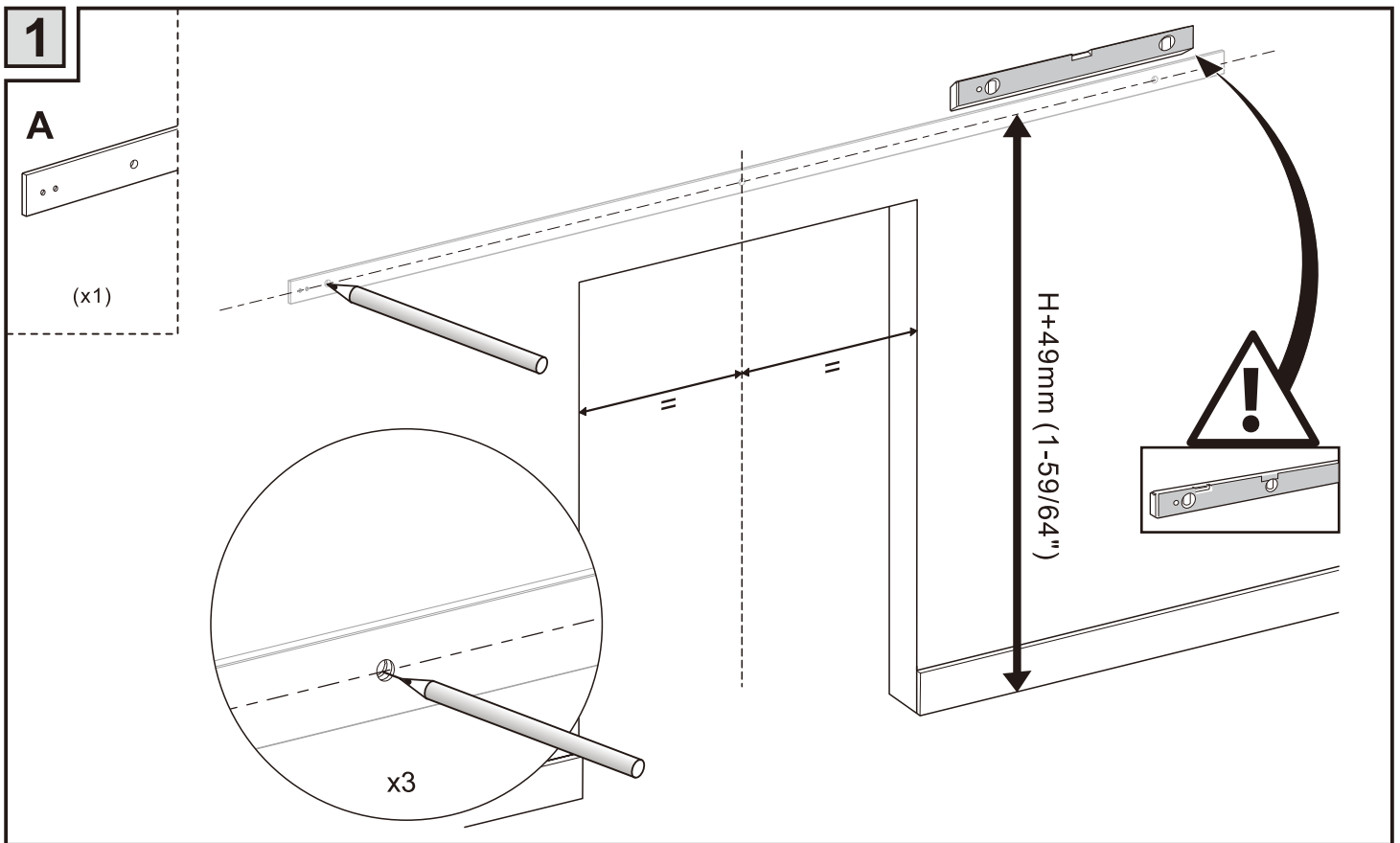
HARDWARE INCLUDED



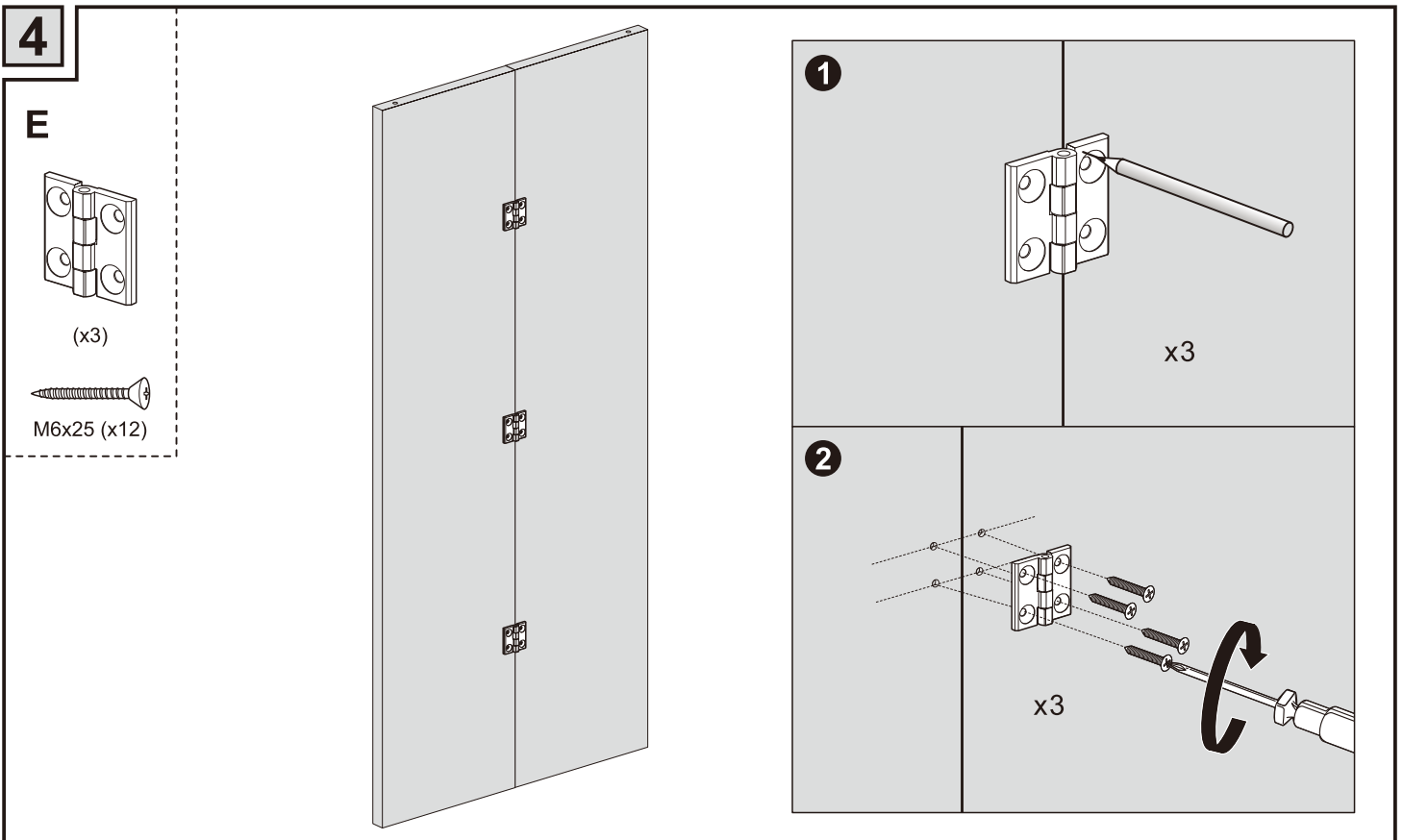
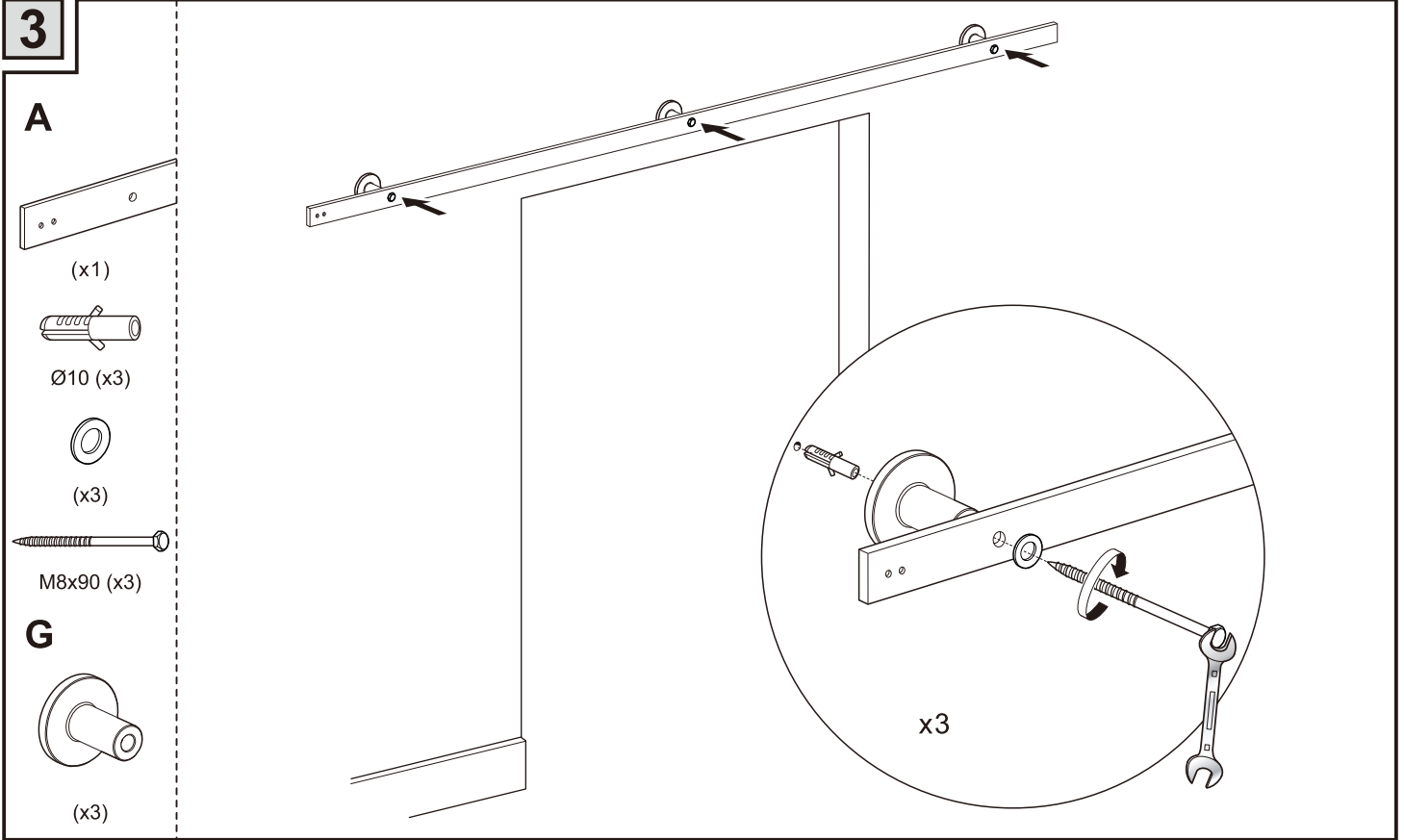
Section drawing



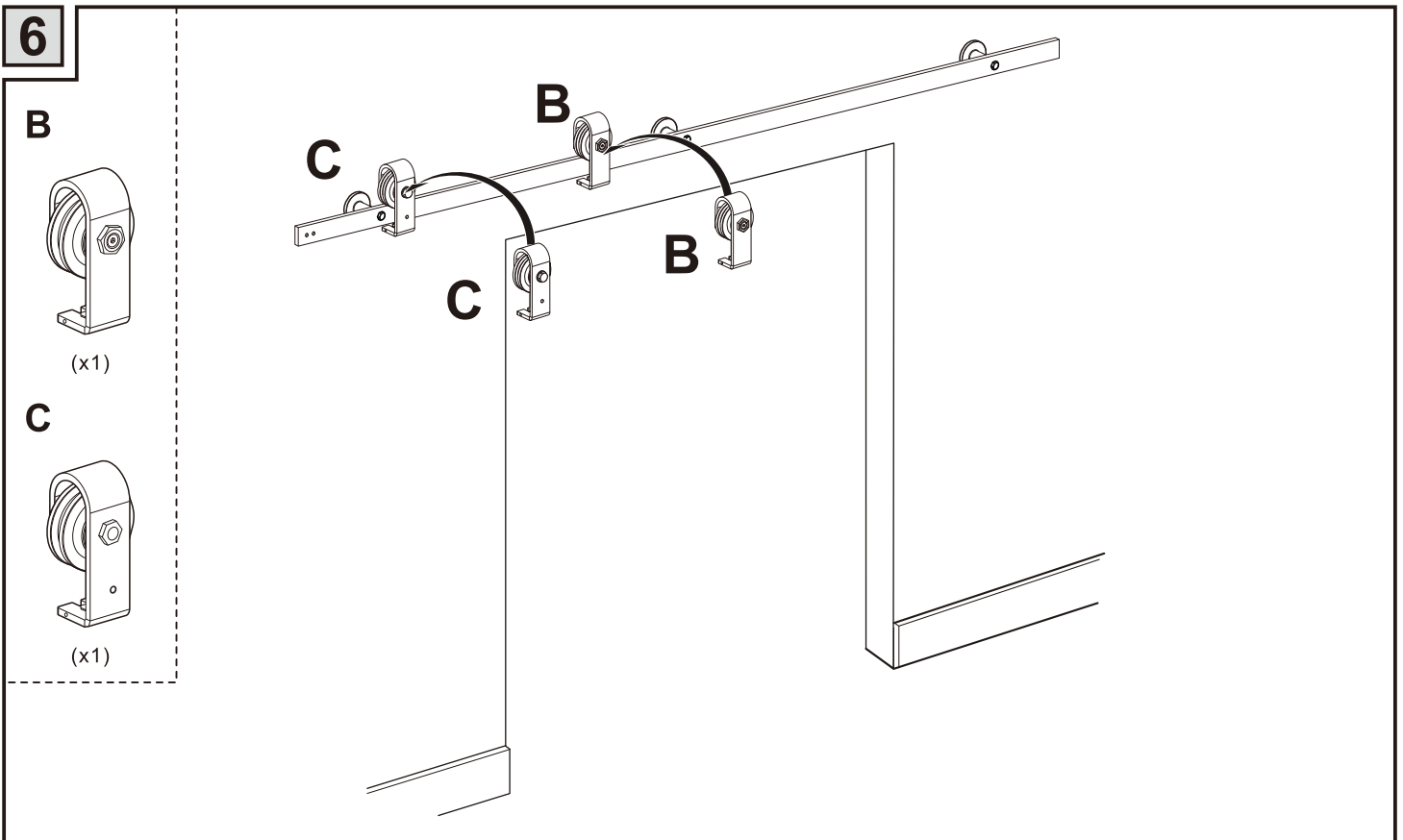
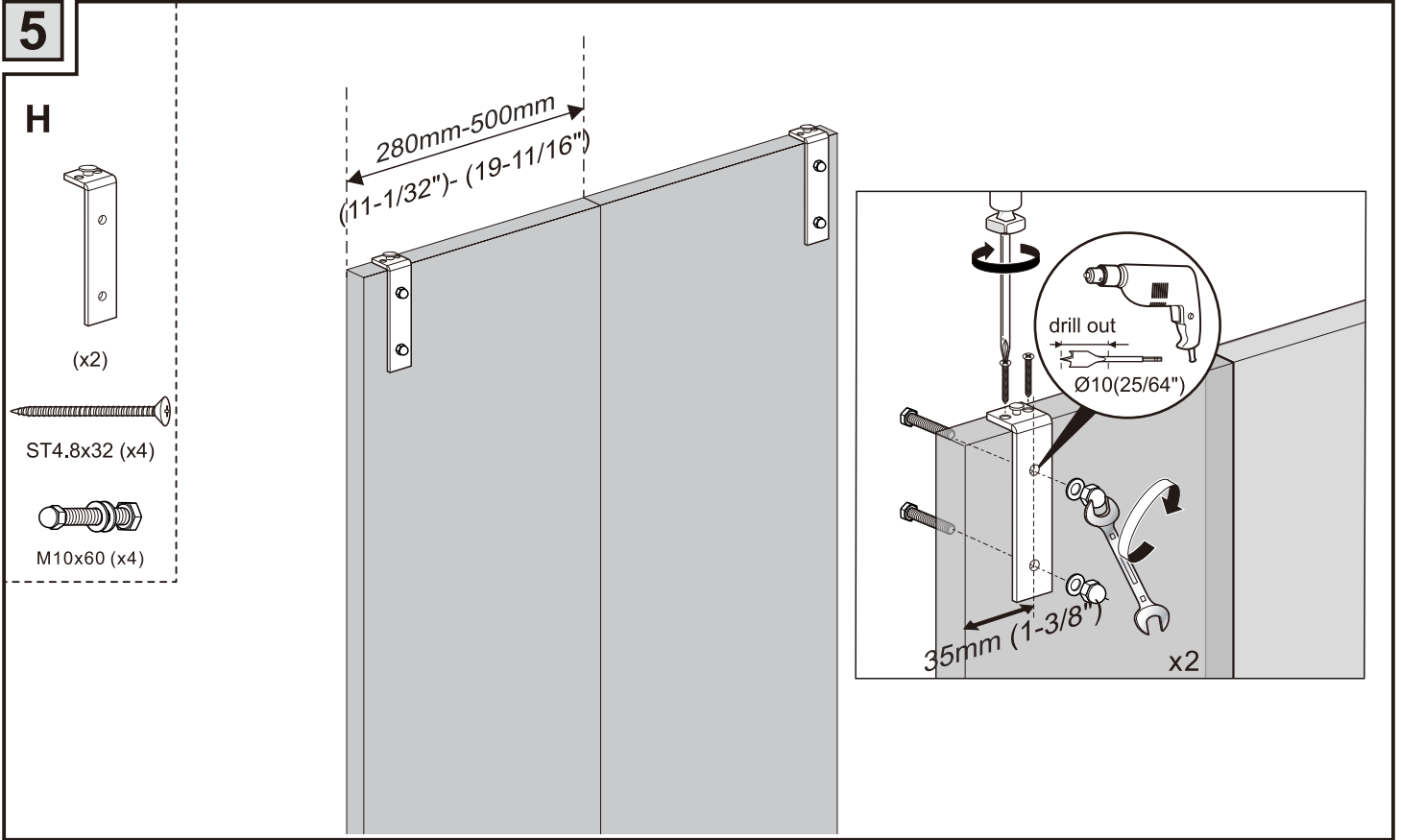
Installation



Installation



Installation



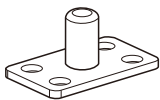
Installation

7

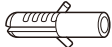
F



(x1)



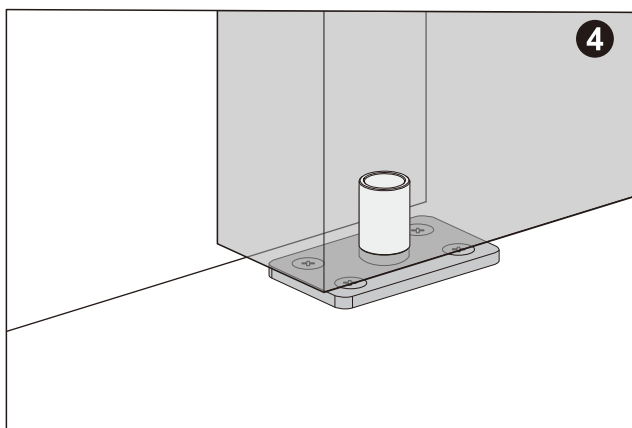
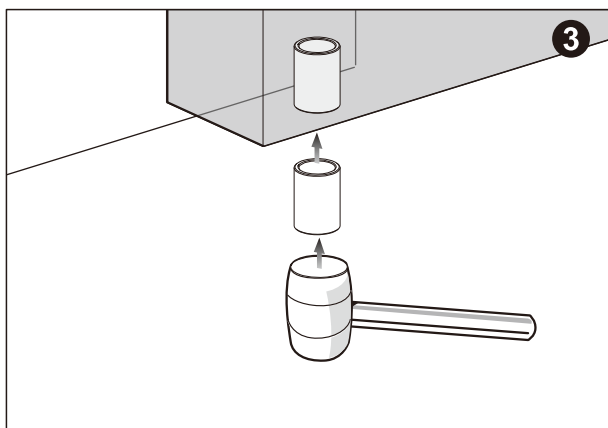
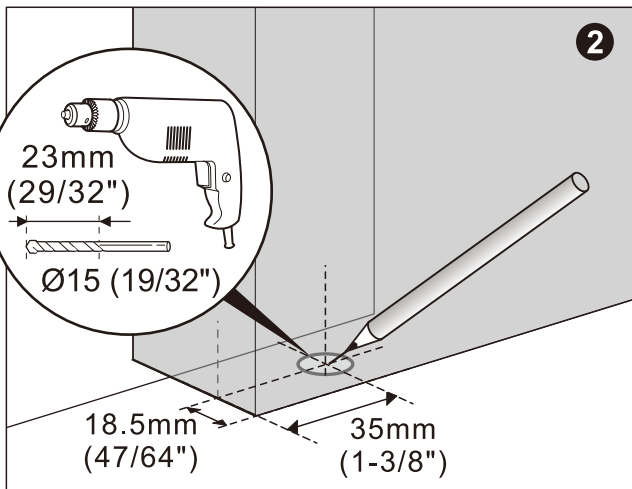
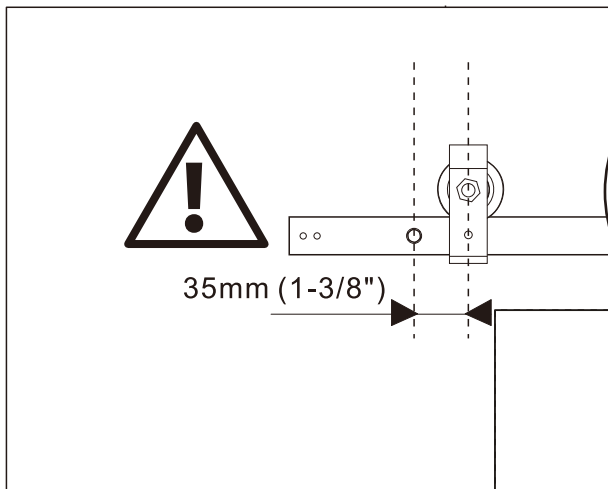
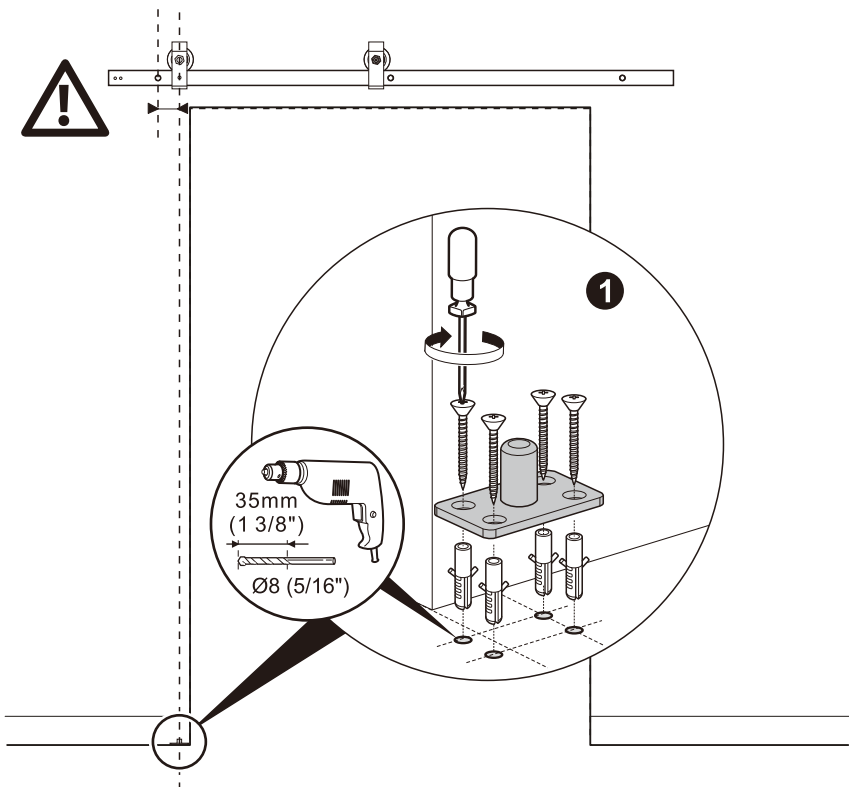
(x1)



Ø8 (x4)

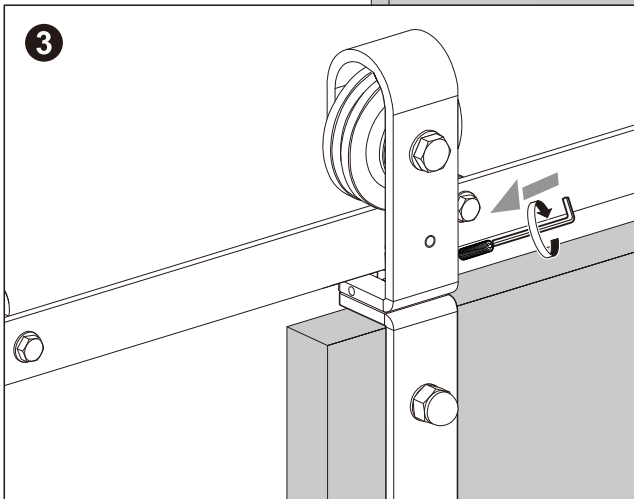
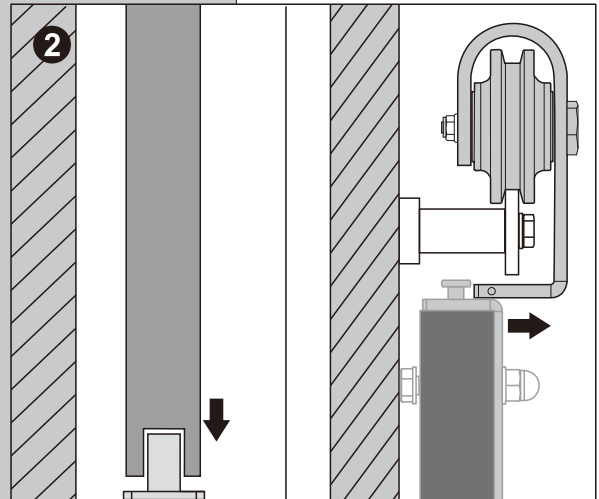
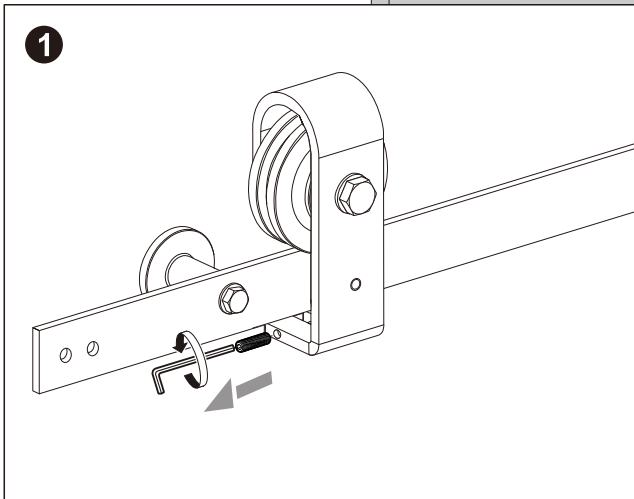
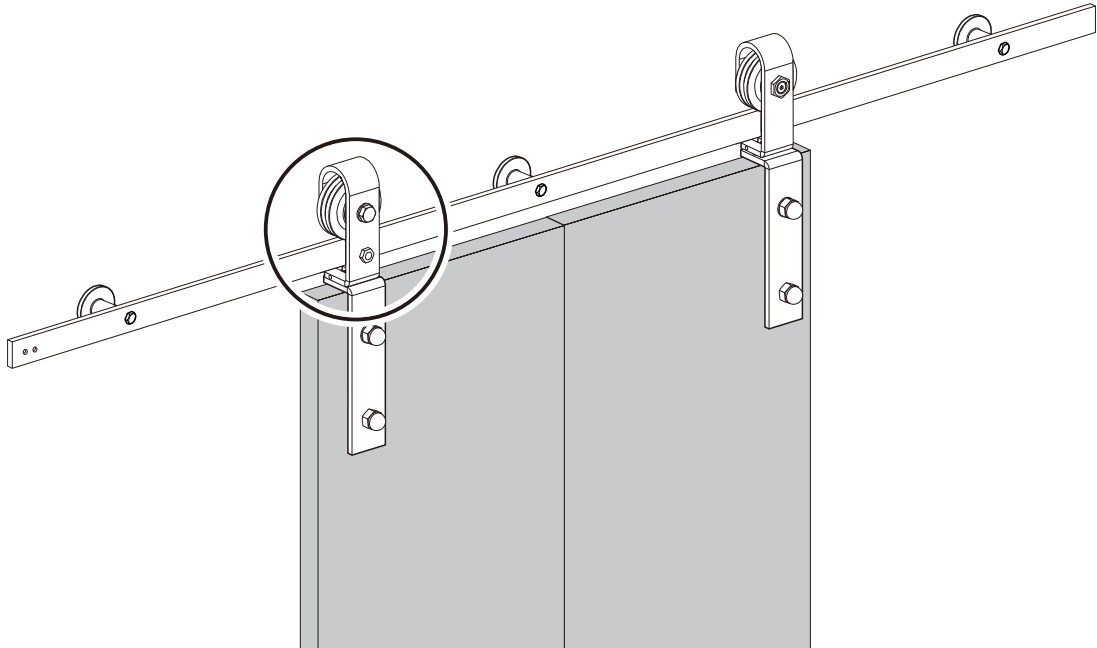


ST4.2x32 (x4)



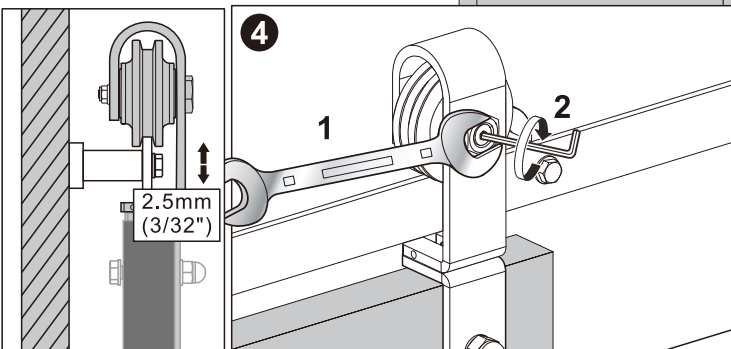
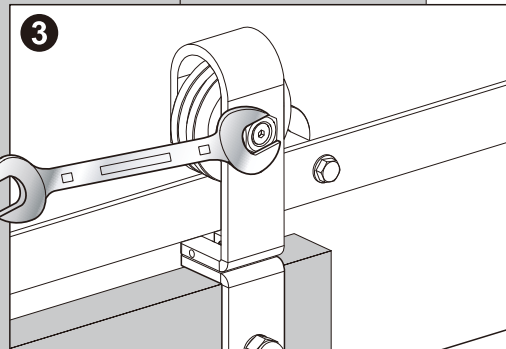
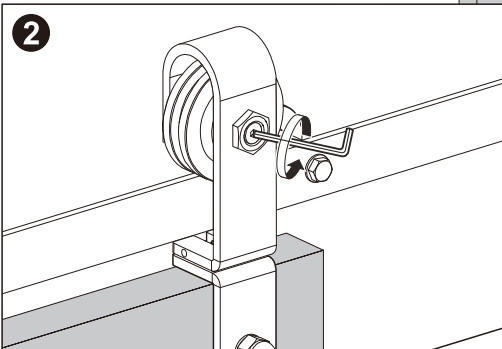
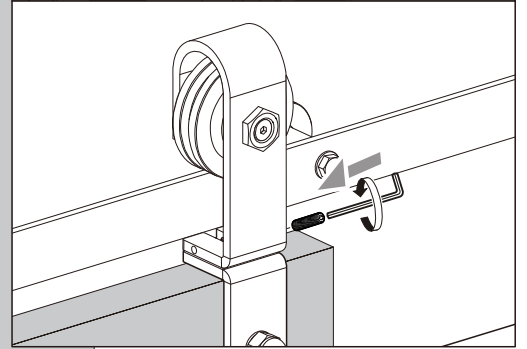
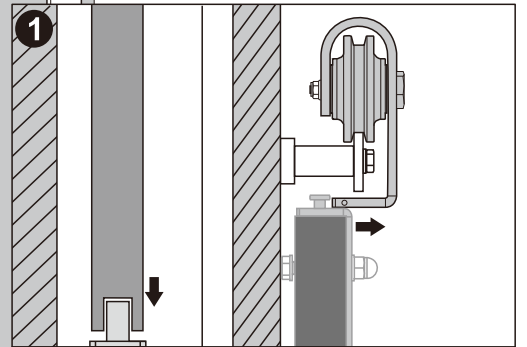
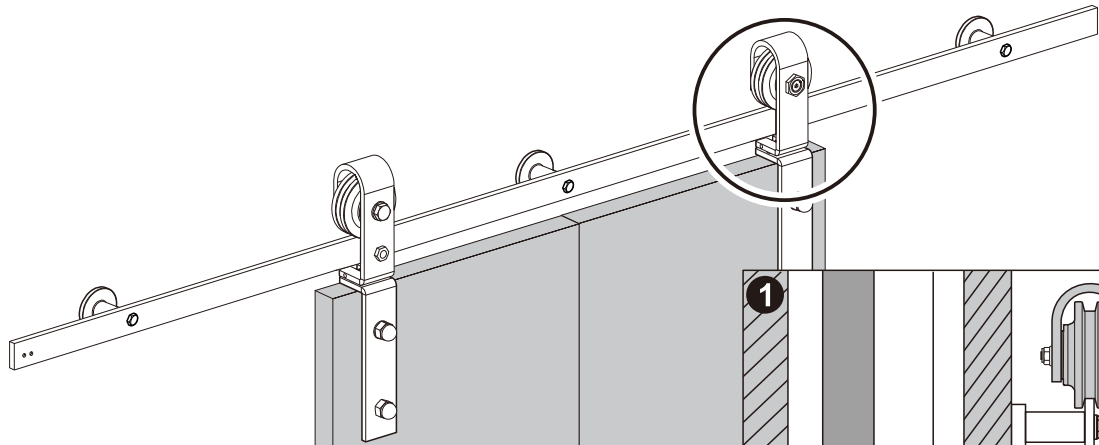
Installation

8



Installation

9



Installation

10

C

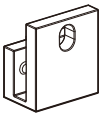


M5x26 (x1)



(x1)

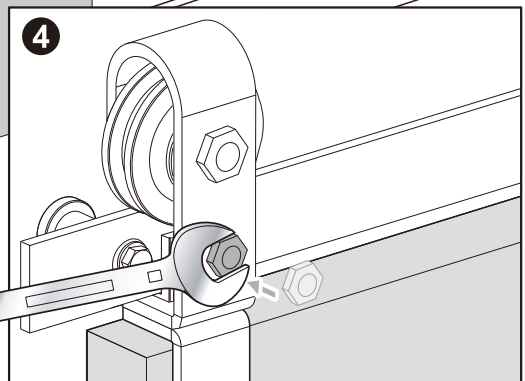
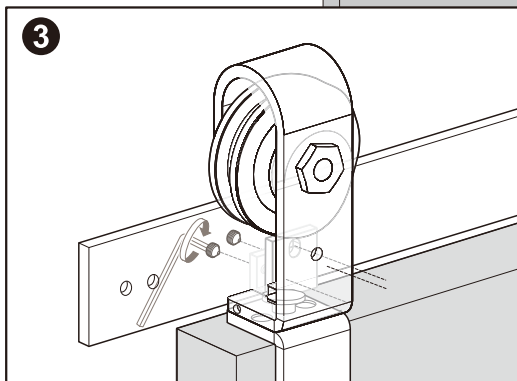
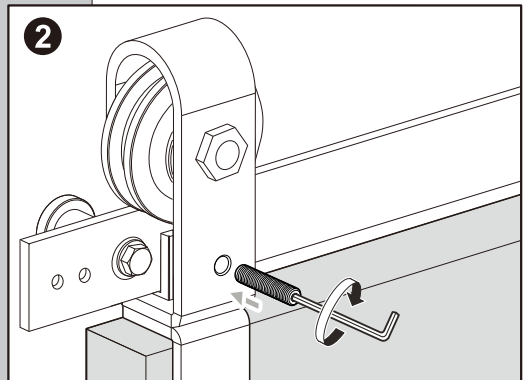
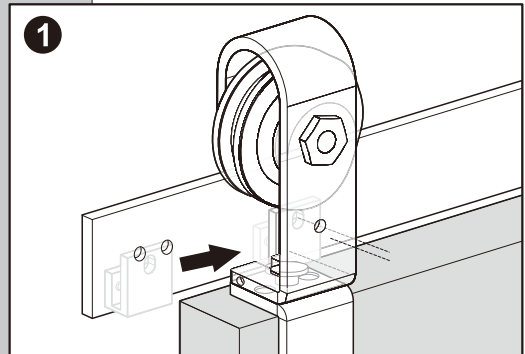
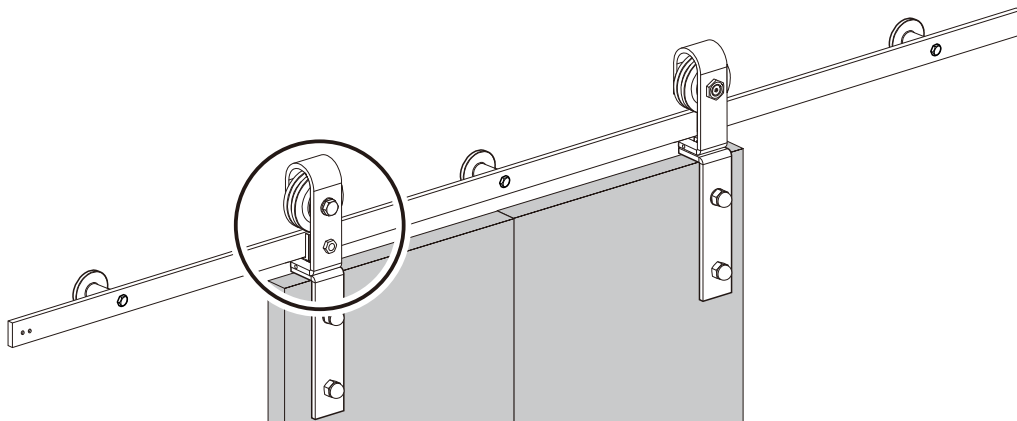
D



(x1)



M5x6 (x2)



Installation

11

A



(x2)

